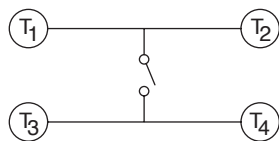
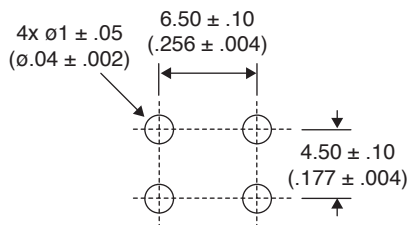
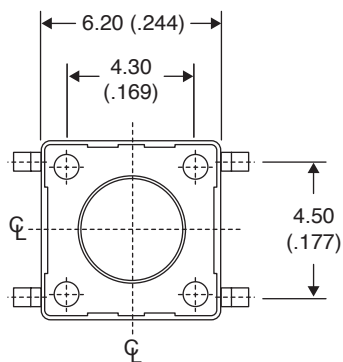
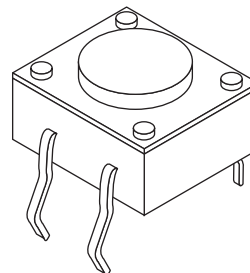


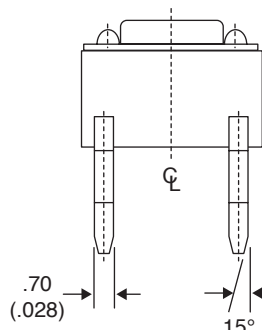
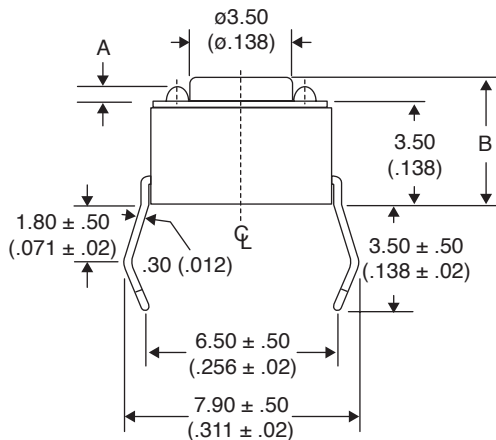
Dimensions: mm (In.)



CIRCUIT DIAGRAM



P.C.B. LAYOUT



Mechanical Specifications:

- Operating Life: 300,000 cycles min.
- Operating Temperature: -25°C to +70°C

Note:

- RoHS Compliant and process compatible with 260° solder

Electrical Specifications:

- Rating: 50mA / 12VDC
- Contact Resistance: 100mΩ max.
- Insulation Resistance: 100MΩ min.
- Dielectric Strength: 250VAC for 1 minute

| Mouser Stock No. | Dimensions: mm (In) | |
|--------------------|---------------------|-------------|
| | A Max. | B |
| 101-TS6111T1601-EV | 0.5 (.02) | 4.3 (.169) |
| 101-TS6111T1602-EV | 0.6 (.024) | 5.0 (.197) |
| 101-TS6111T1603-EV | 0.6 (.024) | 7.0 (.275) |
| 101-TS6111T1606-EV | 0.6 (.024) | 9.5 (.374) |
| 101-TS6111T1607-EV | 0.6 (.024) | 13.0 (.512) |

Tactile Switches

101-TS6111T1601-EV, 101-TS6111T1602-EV,
 101-TS6111T1603-EV, 101-TS6111T1606-EV,
 101-TS6111T1607-EV

